

# Melt Pressure Transmitter

Model: PT124B-129 (with LCD display)



## Description

PT124B-129/129T Series intelligent Melt pressure transmitter (Flexible stem) is a high-accuracy and high-stability pressure instrument designed by digital circuit compensation technology with LCD display and explosion-proof housing, it's specially used in the occasion of 4-20mA (2-wire) with hart protocol optional. It is used in the equipment of chemical fiber, polyester, and other pressure measuring and controlling of melt fluid medium.

## Application

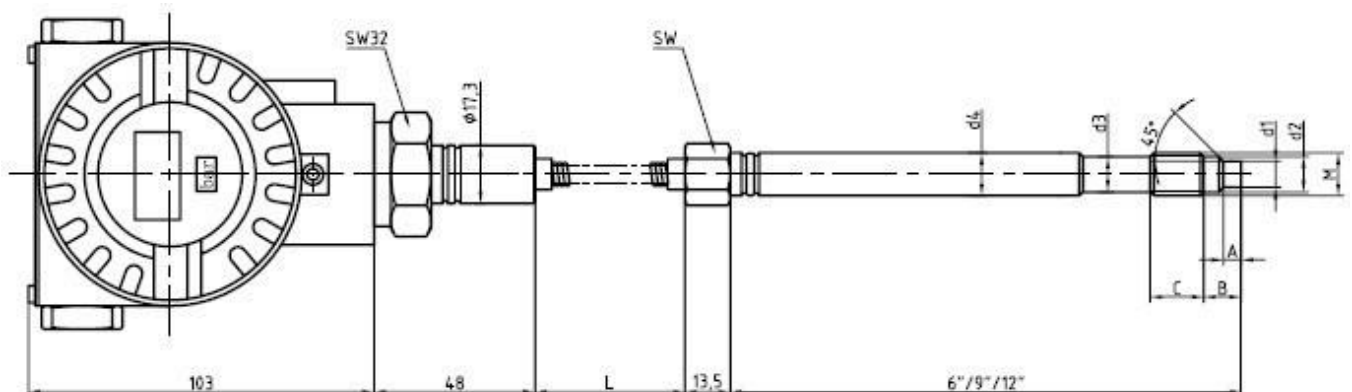
- ◆ Chemical fiber equipment
- ◆ Plastic extruder equipment
- ◆ Polyester equipment
- ◆ Other pressure measurement and Control

## Feature

- ◆ High-standard quality
- ◆ Explosion-proof housing ,
- ◆ With LED Local display
- ◆ Simple installation
- ◆ Internal 80% calibration
- ◆ Excellent stability and repeatable



## Dimension



PT124B-129

**Specification**

Range:	0...1MPa to 0...150MPa (0...150psi to 0...20000psi)
Output:	4~20mA; HART
Accuracy:	±0.25%FS; ±0.5%FS
Input voltage:	24 (12~36) VDC
Repeatability:	±0.2%
Construction:	Wheatstone bridge
Bridge resistance:	350 ohms±10%
Overload pressure:	1.5×FSO
Internal calibration:	80%±1%
Insulation Resistance:	1000Megohms @50Vdc
Max. Diaphragm Temp:	0~400°C
Electric connector:	Wiring terminal
Process connector:	1/2"-20UNF, M14×1.5, M18×1.5 (Option)

**Mounting Hole**

<p>Planar Sealed</p>	D1	M22×1.5	M28×1.5	G3/4"	PT3/8"
	D2	Φ16.1	Φ18.3	Φ18.3	Φ10.3
	D3	Φ20.1	Φ26.1	Φ24.2	Φ14.9
	M	Φ23	Φ30	Φ21	Φ11
	A	11	12	12	14
	B	12	15	15	19
	C	40	35	35	40
	<p>45° Slope Sealed</p>	D1	M12×1.5	M14×1.5	1/2-20UNF
D2		Φ8	Φ8	Φ8	Φ10.1
D3		Φ10.8	Φ12.5	Φ11.5	Φ16.1
D4		Φ12.5	Φ14.5	Φ13.1	Φ20
A		6	6	6	6.5
B		9	9.5	9.5	10

### Attention for installation

#### 1, Installation

Do not remove protective cap until ready to install. Prior to initial installation, verify correct machining of mounting hole. Install with aluminum gasket. The electronics housing should be secured, with the enclosed mounting bracket.

#### 2, Remove

Make sure that there is no remained metal or plastic; remove all of the transducers from the equipment before you clean the extruder. You can remove the transducer only when the polymer is molten. And clean the diaphragm of the transducer with soft cloth as soon as you remove it. At the same time, you can use ZHYQ's cleaning tool kit to clean the remained material in the mounting hole in order to install easily next time.

#### 3, Start-up

Bring system to operating temperature, and with no pressure, follow recommended procedures with instrumentation for zero and span adjustment. Make sure that there is sufficient "soak time" to assure that any material at the tip of the transducer is molten before process is started.

#### 4, Electrical house

The tip of the transducer can endure high temperature, but the shell (electrical house) only endure temperature lower than 80°C, so it should place in the room temperature. It can benefit for the accuracy and natural life of the transducer if you keep the shell from the high temperature.

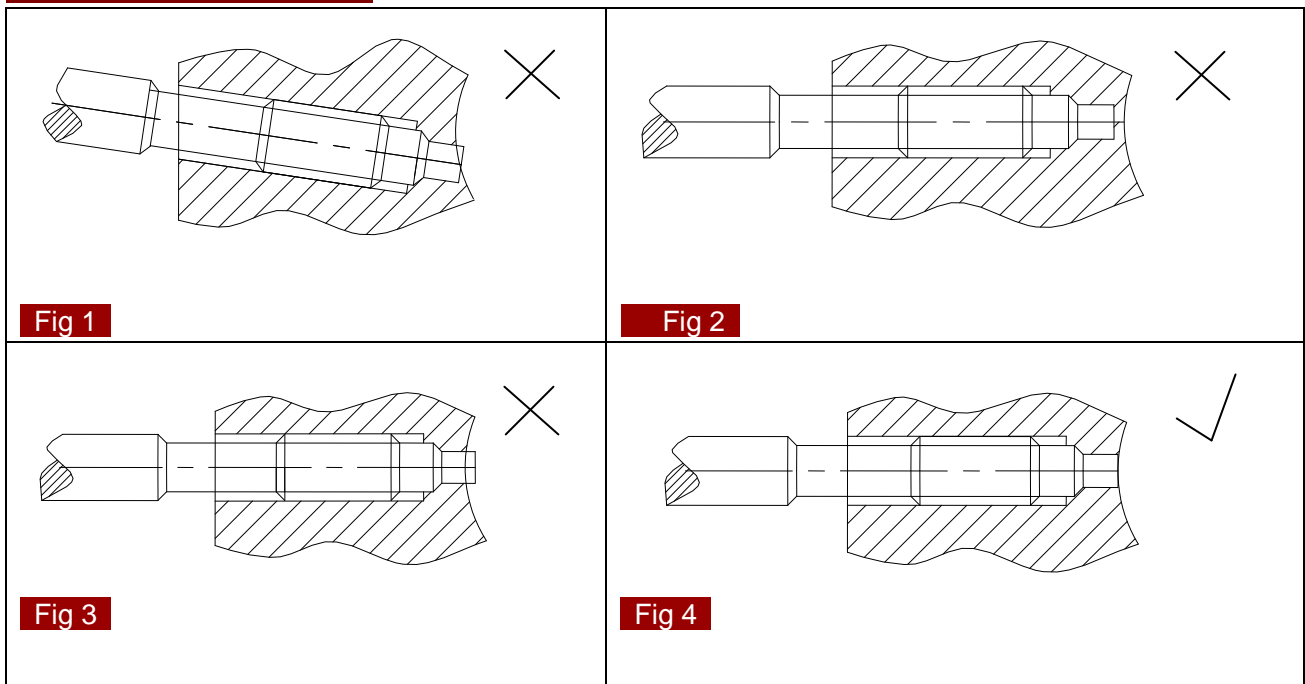
#### 5, Overload effect

During the course of pressure measuring and controlling, it is better to make sure the transducer within the rated pressure, too long time overload the pressure will affect the accuracy and natural life of transducer, although the transducer own determinate overload ability.

#### 6, Wiring

Use shielded cable, attach cable shield to ground at one end only. In order to prevent the jamming.

### Select correct installation



Three buttons instruction for mainboard of intelligent transmitter



“M”- Function key, “S”- Span adjust key, “Z”- Zero adjust key.

**Program Instruction for the mainboard.**

**1, Unlock**



Press <Z> and <S> and hold on for 5s to open the lock.  
(LCD screen display: OPEN)

**2, PV value reset**



At no-load, and unlock condition, press <Z> and <S> and hold on for 2s, the PV value will be 0.  
(LCD screen display: PV=0)

**3, 4mA active migration**



Zero adjust: Add “0” pressure to the transmitter, press <Z> for 2s, the transmitter gives output 4.000mA.  
(LCD screen display: LSET)

**4, 20mA active migration**



Span adjust: Add “Span” pressure to the transmitter, press <S> for 2s, the transmitter gives output 20.000mA.  
(LCD screen display: HSET)

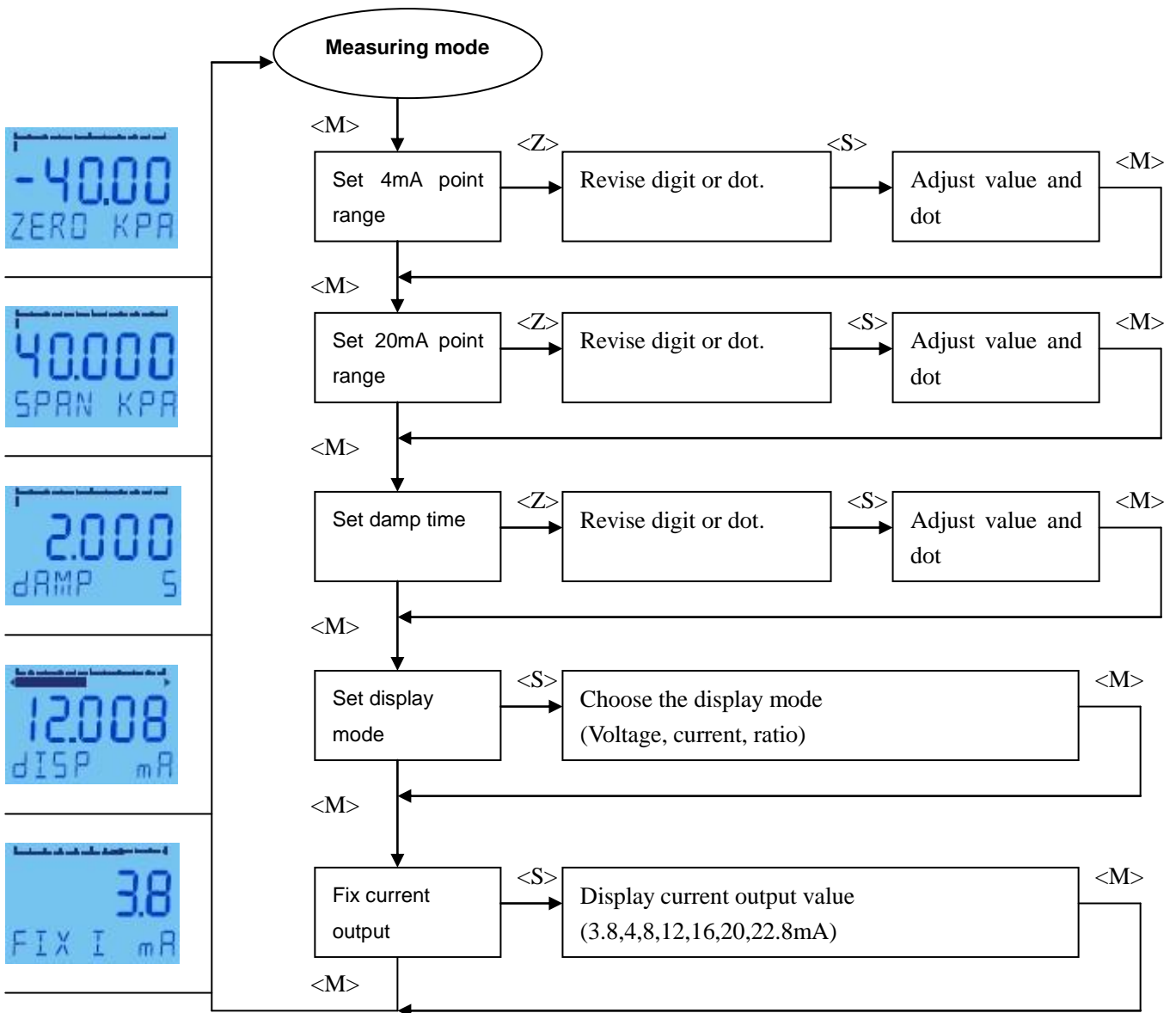
**5, Data recovery**



Press <Z>, and connector the power, hold on press <Z> for 5s, if LCD screen display OK, the data recovery to the original state, then release the <Z>. If LCD screen display FAIL, it means there is no backup data, it could not recovery to the original state.

Remarks: The transmitter will auto lock when there is no press to any button. You need to open the lock again.

## Measuring mode



## Ordering Guide

Model	Range(bar)	Output	Screw Thread	Electric connection	Other requirement
PT124B-129	---	---	---	---	---

Example: PT124B-129-500Bar-4/20mA-1/2-20UNF-6PIN

## Shanghai Zhaohui Pressure Apparatus Co., Ltd

5-6F No.8 Building No.115 ,Lane 1276 Nanle Road Songjiang District Shanghai 201600 China

Tel:+86-21-51691919 67755189 Fax:+86-21-67755185

E-mail: info@zhyqsensor.com

www.zhyqsensor.com

