

# Industrial Pressure Transmitter

Model: PT124B-214 ( corrugated diaphragm )

## Description

This series PT124B-214 with corrugated flush diaphragm is particularly suitable for the measurement of viscous fluids or media containing particulates that may clog the pressure connection of standard industrial transmitters. All wetted parts are made of stainless steel and are hermetically welded.



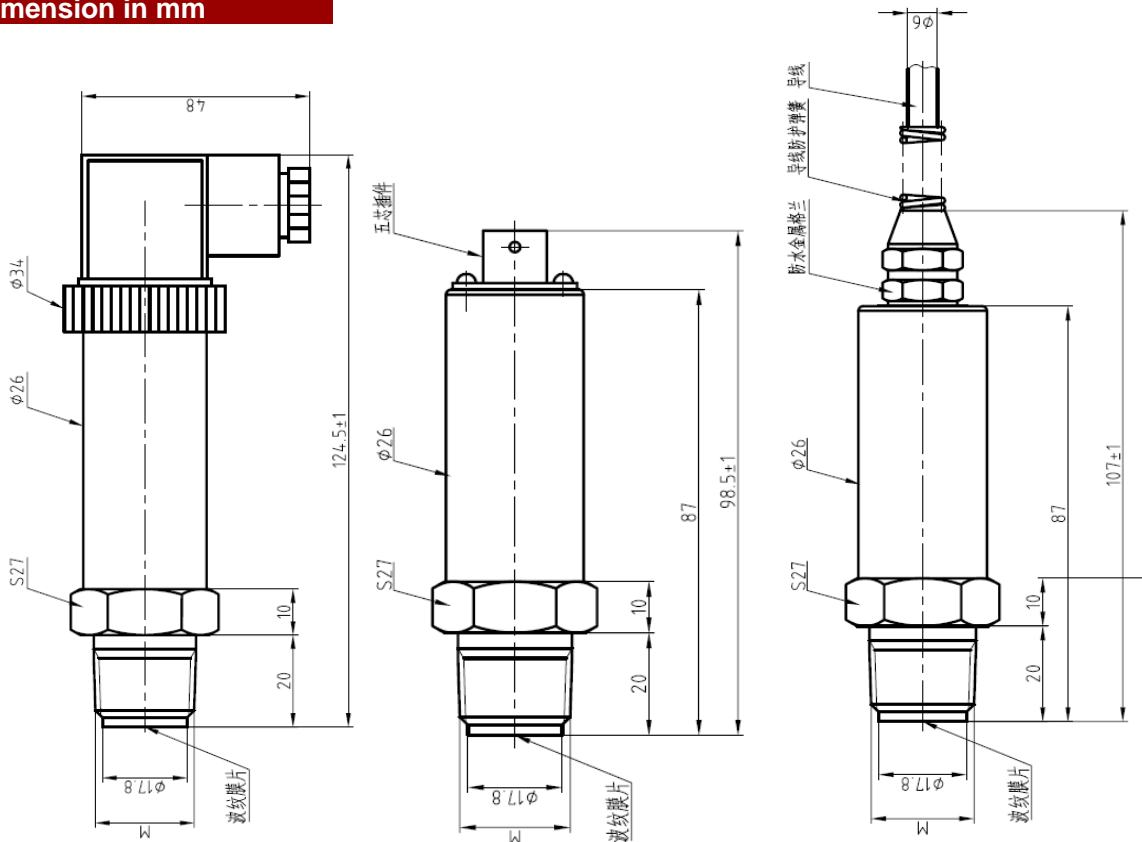
## Application

- ◆ Mechanical engineering
- ◆ Hydraulics/Pneumatics
- ◆ General industrial applications
- ◆ Food&Beverage

## Feature

- ◆ Pressure Range: 0...1bar...10bar
- ◆ Various output signal for option
- ◆ Flush diaphragm
- ◆ Excellent corrosion-proof capability
- ◆ Compact dimension, high quality

## Dimension in mm



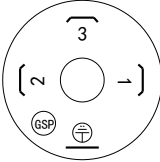
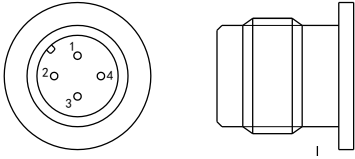
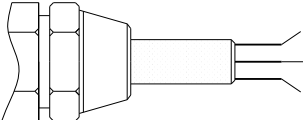
## Remarks:

The dimensions only for you reference, and you can choose other electrical connector and process connector.

## Specification

Range:	-1- 0-10bar
Accuracy:	0.5%FS
Nonlinearity:	0.2%FS
Reliability:	0.05%FS
Output:	4-20mA ( 2 Wire ) , 0-5V; 0.5-4.5V
Input voltage:	24(12~36)VDC (Amplify signal); 5VDC
Work Temperature Range:	-40~80℃
Compensated temp range:	0~70℃
Overload pressure:	150%FS
Medium material:	stainless steel or Hardening Aluminum
Electric connection:	Hirschman(DIN), M12 & 4 PIN, Bendix connector, cable, Etc (Customer design)
Process connection:	G1/2, 1/2BSP, 1/2NPT, M22 and etc

## Electric Connection Code

Electric connector	2 Wire (4-20mA)			3 Wire (0-10V, 0-5V, 0.5-4.5V)		
<b>Hirschman</b> 	Pin	Function	Color	Pin	Function	Color
	1	E+/S+	Red	1	E+	Red
	2	E-/S-	Black	2	S+	Blue
	3	---	---	3	E-/S-	Black
<b>M12,4 Pin connector</b> 	Pin	Function	Color	Pin	Function	Color
	1	E+	Brown	1	E+	Brown
	2	---	---	2	---	---
	3	S+	Blue	3	S+	Blue
	4	---	---	4	E-/S-	White
<b>Cable</b> 	Function	Color	Function	Color		
	E+	Red	E+	Red		
	S+	Black	S+	Blue		
	---	---	E-/S-	White		

## Ordering Guide

Model	Range(bar)	Output	Screw Thread	Electric connection	Other requirement
PT124B-214	---	---	---	---	---

Example: PT124B-214-50Bar-4/20mA-G1/2-Hirschmann

Remarks:

Please connect the pressure transmitter with the opposite connection for difference electric connector. If the pressure transmitters with cable, please consult the right color.

## Shanghai Zhaohui Pressure Apparatus Co., Ltd

3rd Floor, No.3 Building, No.2440 Pingliang Rd, Shanghai, PRC200090  
 Tel:+86-21-55531138 55531139 Fax:+86-21-55530345  
 E-mail: info@zhyqsensor.com  
 www.zhyqsensor.com