

Differential pressure transmitter

Model: PT124B-3501



Description

The model PT124B-3501 differential pressure transmitter can be used to measure liquid, gas, or steam flow, as well as liquid level, density and pressure. It outputs a 4 to 20mA DC HART signal corresponding to the measured pressure differential. The model PT124B-3501 also features remote setup and monitoring through communication with the model RST375 TERMINAL or RSM100 Modem.

Feature

- Adopts global leading high precision silicon
- Accuracy +/-0.075%
- Advanced stability and static pressure performance
- Error less than +/-0.1%/10MPa
- Internal integrated high sensitivity temperature transducer
- Perfect thermal drift
- All SS316L welding sealed construction with silicon filled



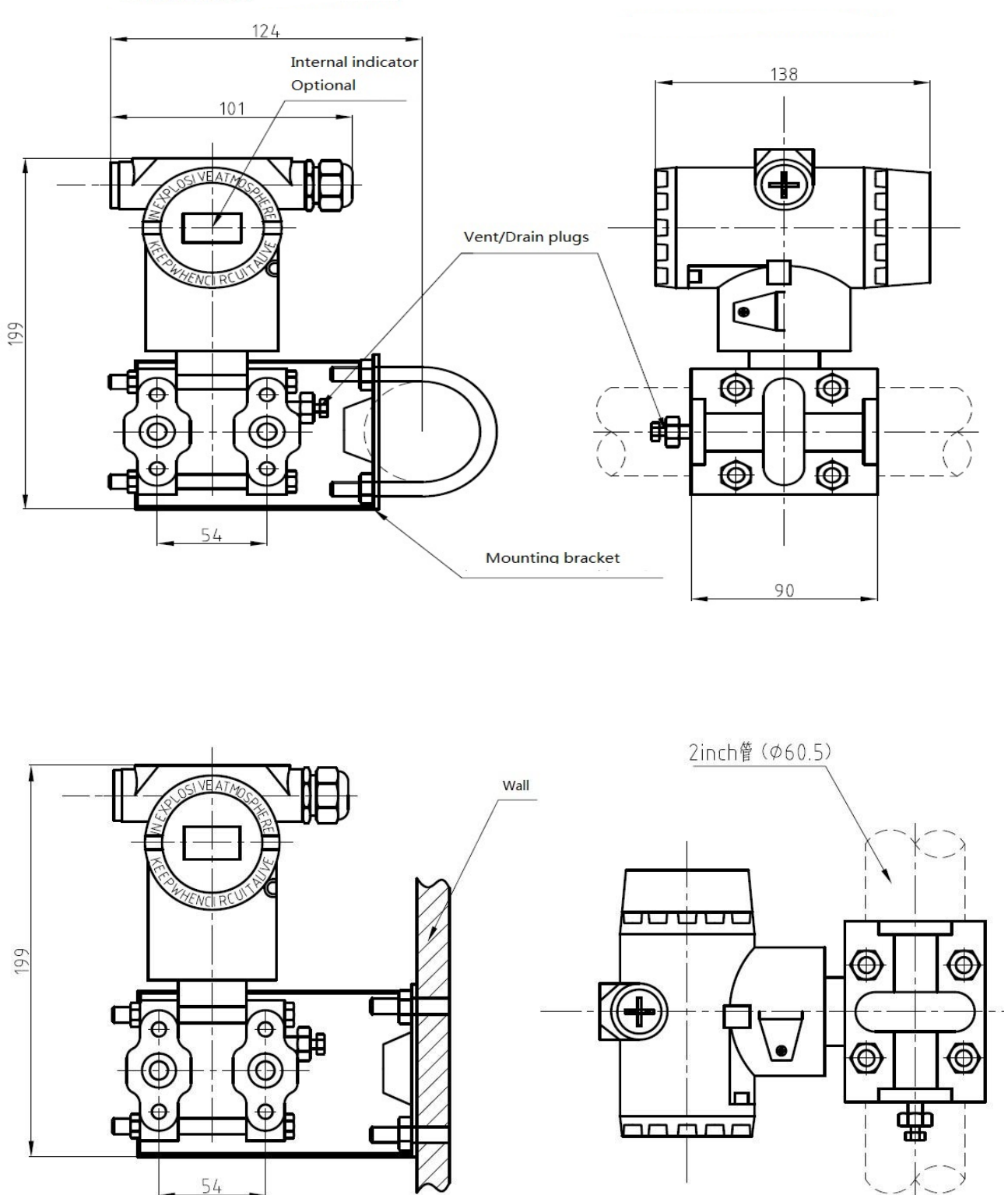
Specification

Item	Specification
Medium	Gas, steam, liquid
Measurement range (Non migration)	0-0.1KPa-2MPa
Accuracy	+/-0.075%, +/-0.1%
Wetted parts material	SS316L, Hastelloy C
Output	2-wire 4-20mA, HART communication optional, linear output or square root output available
Ambient temperature limited	-40~85°C -20~65°C (with LCD display, fluorine rubber O-ring)
Protection grade	IP67
Electrical connector	M20*1.5 cable sealing buckle, terminal suitable for 0.5-2.5mm ² cable
Process connector	1/4NPT female and 7/16 female on the cover flanges
Mounting position effect	Rotation in diaphragm plane has no effect. Tilting up to 90° will cause zero shift up to 0.4KPa, which can be corrected by the zero adjustment.

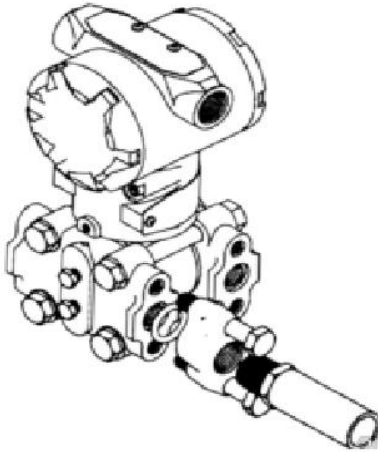
Dimensions and Installation

Horizontal tube connection (side face)

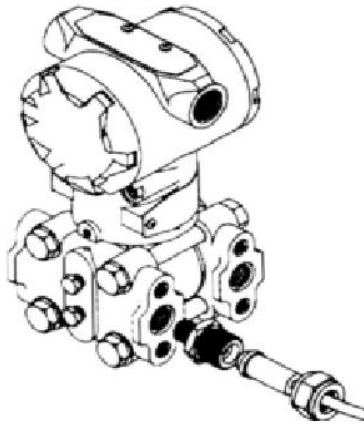
Horizontal tube connection (front)



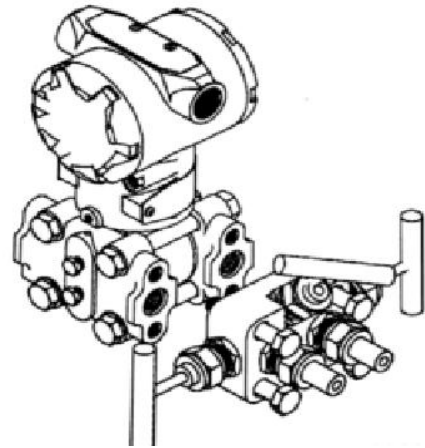
Installation Diagram



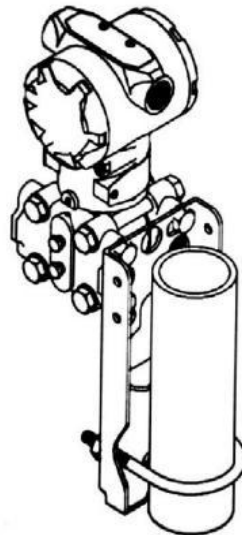
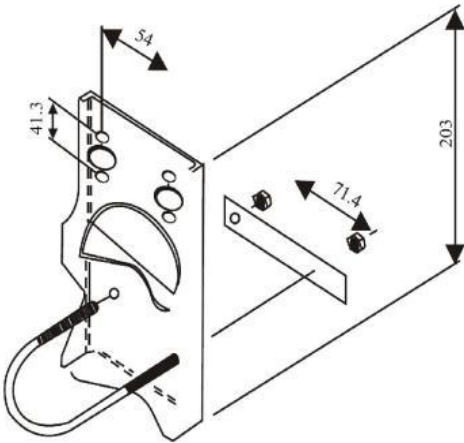
1/2NPT Female



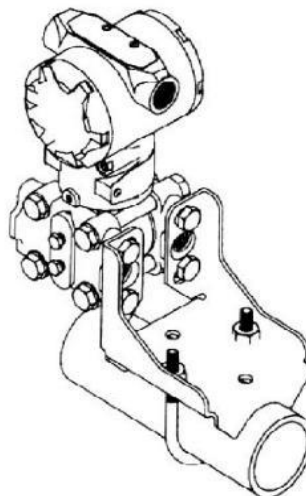
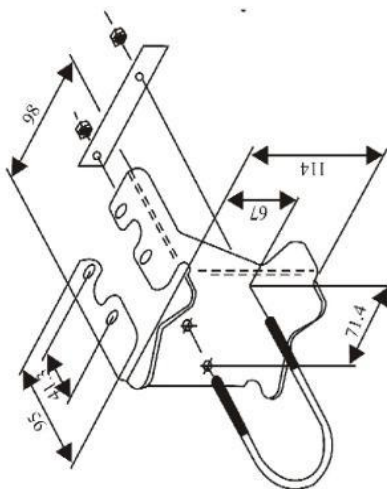
Welded Joint Connection



Three-valve Manifold Connection



Pipe mounted flat bracket



Pipe mounted bent bracket

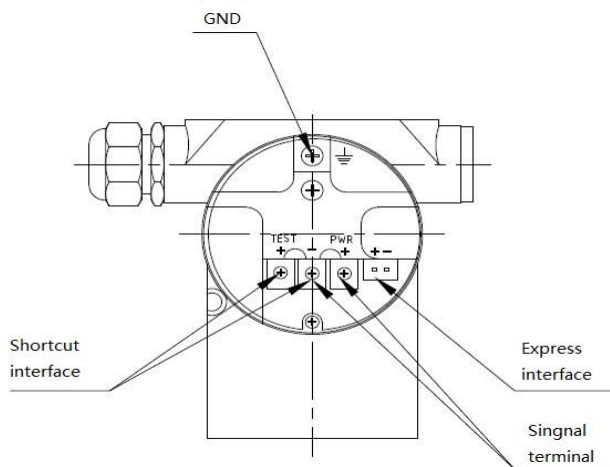


Liquid Level Measurement



Differential Pressure Measurement

Wiring connector



PIN	2-wire	3-wire
PWR+	P+	P+
PWR-	P-	P-
TEST+		S-

Ordering Guide

Model	Range	Output	Screw Thread	connection	Other requirement
PT124B-3501	---	---	---	---	---

Example: PT124B-3501-10bar-4/20mA(HART)-1/2NPT-M20*1.5 cable sealed

Shanghai Zhaohui Pressure Apparatus Co.,Ltd

5-6F No.8 Building No.115 ,Lane 1276 Nanle Road Songjiang District Shanghai 201600 China
 Tel:+86-21-51691919 67755189 Fax:+86-21-67755185
 E-mail: info@zhyqsensor.com
 www.zhyqsensor.com

