

# PT124G-3500

## 表压/绝压传感器

### Gauge/Absolute Pressure Sensor

PT124G-3500系列压力传感器采用进口先进MEMS技术制成的单晶硅传感器芯片，内嵌高品质测压膜盒和信号处理模块，是基于被测压力直接作用于传感器的膜片上，使膜片产生与压力成正比关系的微量位移，通过集成电子电路监测该位移变化，并转换输出一个相应压力的标准测量信号。

传感器具有超高压性能及良好的温度补偿，安装便捷，具有良好的环境适应性，可广泛用于各类工控环境。

PT124G-3500 serial monocrystal silicon pressure/absolute sensor adopts advanced MEMS technology, built-in high quality measuring diaphragm capsule and DSP block, based on the measured pressure directly acting on the sensor diaphragm, result micro displacement proportional to the pressure, monitor it with integrated electronic circuit, and transfer to a standard signal.

This series pressure sensor comes with ultra high overload performance, perfect temperature compensation, convenient installation and condition compatible, it can be widely used in various industrial control fields.



#### 产品优势 Advantages

- 采用进口FST单晶硅MEMS芯片进行封装，产品具有超高精度，最高可达0.04%FS  
Adopts FST monosilicon MEMS chip to encapsulate, precision up to 0.04%FS
- 具有优异的过压性能  
Excellent overload performance
- 可用于负压力测量  
Suitable for negative pressure measurement
- 智能静压补偿和温度补偿，环境适应性强  
Intelligent static pressure and temperature

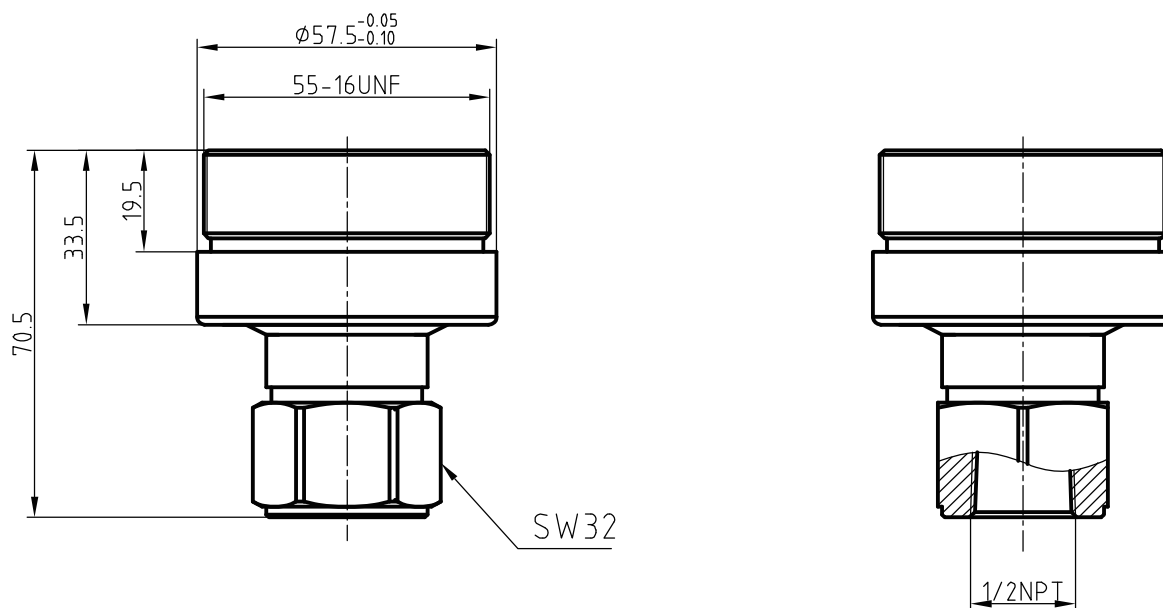
#### 产品应用 Application

- 石油、化工、电力、造纸、钢铁、煤气等  
Petrol oil, chemical industry, electrical power, paper making, iron and steel, coal gas and etc.

#### 技术参数 Specification

量程 Measurement range	10 KPa、35 KPa、100 KPa、250 KPa、500 KPa、1MPa、3MPa、20MPa、40MPa
过载 Overload	150%F.S
供电电压 Voltage	5V
信号输出 Signal output	40-200mV
工作温度 Operation temperature	-50~85 C
介质温度 Medium temperature	-50-125 C
非线性 Non-linearly	≤0.1%F.S
长期稳定性 Long term stability	≤0.05%F.S/Y
温度影响 Temperature effect	≤0.3%F.S/Y
长期漂移 Long term drift	≤0.05%F.S/Y
本体材质 Housing material	316
膜片材质 Diaphragm material	316L、哈氏合金 (Hastelloy)、钽 (Tantalum)、镀金 gold-plating etc.
过程连接 Process connection	M20*1.5、G1/2、NPT1/2 内螺纹 (female)、NPT1/2 外螺纹 (male)

## 外形尺寸 Dimensions



## 产品选型 Ordering Guide

PT124G-3500	.....		单晶硅表压\绝压传感器 Monosilicon gauge \ absolute
测量范围 (膜盒) Measurement range (capsule)	P1	10KPa	
	P2	35 KPa	
	P3	100 KPa	
	P4	250 KPa	
	P5	500 KPa	
	P6	1MPa	
	P7	3MPa	
	P8	20MPa	
	P9	40MPa	
壳体 Housing material	S1	M45	
	S2	M56	
	S9	其他按要求 Other requirement	
隔离膜片 Diaphragm material	M1	316L	
	M2	哈氏合金	Hastelloy
	M3	钽	Tantalum
	M4	镀金	Gold-plating
	M9	其他按客户要求 Other requirement	
过程连接 Process connection	C1	M20*1.5	male
	C2	G1/2	male
	C3	NPT1/2	female
	C4	NPT1/2	male
	C9	其他按客户要求 Other requirement	

\* 参考选型 Ordering example : PT124G-3500-P1-S1-M1-C1