

Diaphragm Pressure Gauge

Model: PT124Y-620 (Screw Thread Connection)



Description

PT124Y-620 adopts high performance bourdon tube, designed with special shockproof configuration, high pressure endurance; it is suitable for the process pressure measuring of much machinery such as the homogenizer machine.

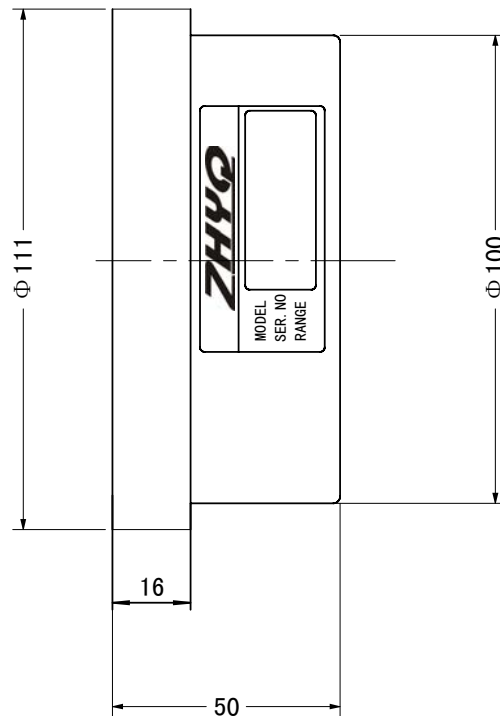
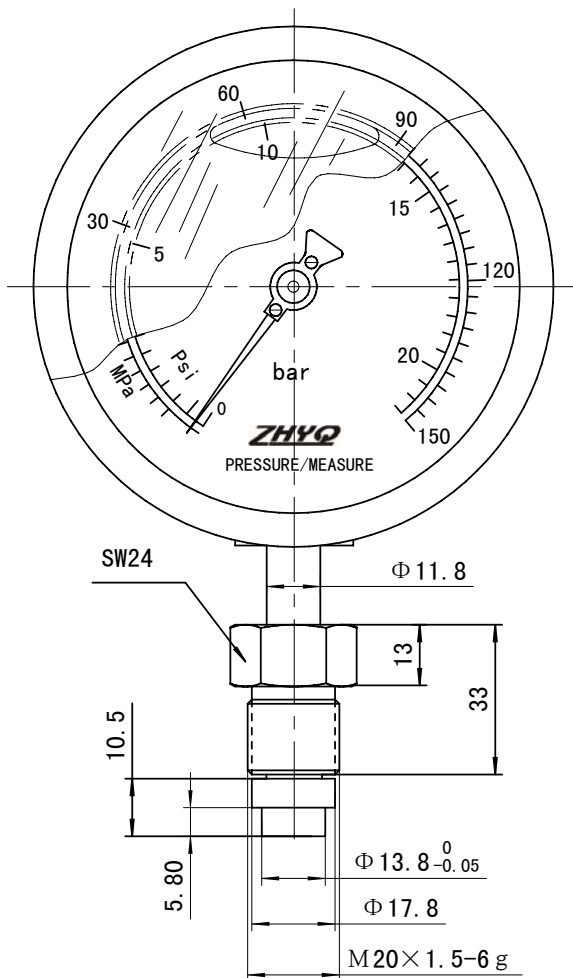
Application

- ◆ Homogenizer
- ◆ Mulser
- ◆ Crusher
- ◆ Food or other machinery

Feature

- ◆ Cost performance is good
- ◆ Mechanical design
- ◆ Install easily
- ◆ Good shockproof and corrosion prevention
- ◆ High reliability and good repeatability

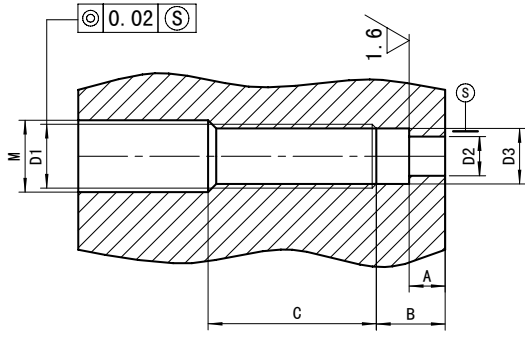
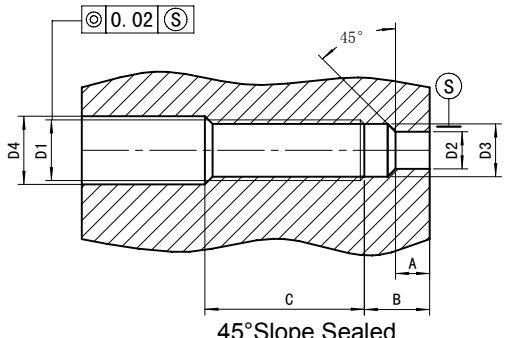
Dimension



Specification

Range	0~6bar~1500bar
Accuracy	±1.6%FS
Configuration	Bourdon tube
Over Pressure	1.5×FS
Dial Diameter	100mm
Max Diaphragm Temperature	125℃
Process Connection	M20×1.5;M18×1.5 (Optional)

Mounting hole

 <p>Planar Sealed</p>	D1	M22×1.5	M28×1.5	G3/4"	PT3/8"
	D2	Φ16.1	Φ18.3	Φ18.3	Φ10.3
	D3	Φ20.1	Φ26.1	Φ24.2	Φ14.9
	M	Φ23	Φ30	Φ21	Φ11
	A	11	12	12	14
	B	12	15	15	19
	C	40	35	35	40
 <p>45° Slope Sealed</p>	D1	M12×1.5	M14×1.5	1/2-20UNF	M18×1.5
	D2	Φ8	Φ8	Φ8	Φ10.1
	D3	Φ10.8	Φ12.5	Φ11.5	Φ16.1
	D4	Φ12.5	Φ14.5	Φ13.1	Φ20
	A	6	6	6	6.5
	B	9	9.5	9.5	10

Guide

Model	Range	Output	Process connection	Other requirement
PT124Y-620	---	none	---	---
Example: PT124Y-620-700Bar-M20×1.5				

Shanghai Zhaohui Pressure Apparatus Co., Ltd

5-6F No.8 Building No.115 ,Lane 1276 Nanle Road
 Songjiang District Shanghai 201600 China
 Tel:+86-21-51691919 67755189 Fax:+86-21-67755185
 E-mail: info@zhyqsensor.com
 www.zhyqsensor.com

